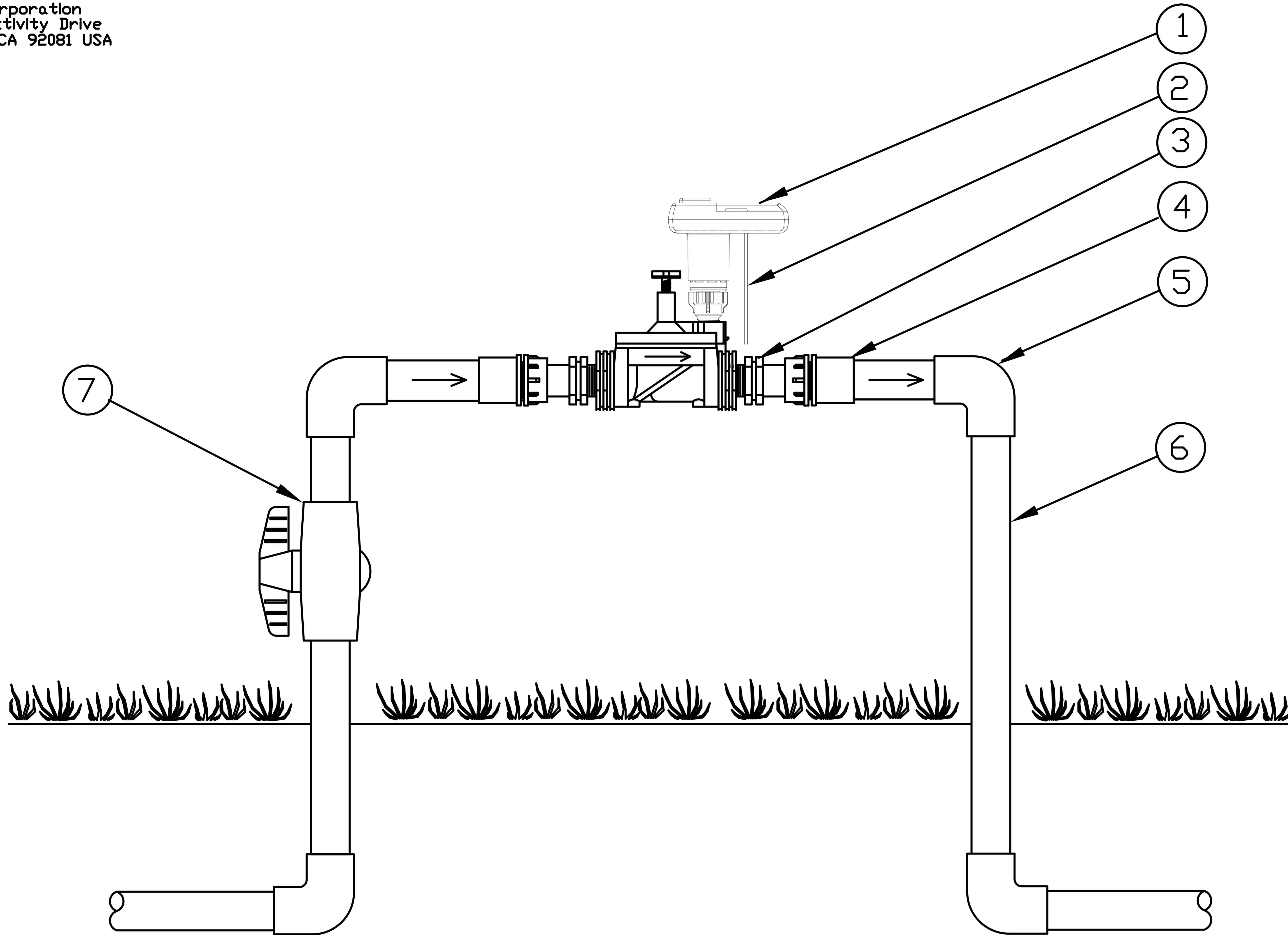




DIG Corporation
1210 Activity Drive
Vista CA 92081 USA



LEGEND

- ① SINGLE STATION SOLAR POWERED CONTROLLER WITH RAIN SENSOR CONNECTION AND INLINE VALVE (IP68) DIG MODEL# LEIT1 ILV-075 WITH 3/4" INLINE VALVE DIG MODEL# LEIT1 ILV-100 WITH 1" INLINE VALVE INCLUDING VALVE ADAPTER MODEL: 30-920
- ② RAIN SENSOR WIRE CONNECTION
- ③ SWIVEL FITTING DIG MODEL 3/4" 23-004, 1" 23-003
- ④ PVC SCH 40 MALE ADAPTER
- ⑤ PVC SCH 40 90 DEGREE ELL
- ⑥ PVC VERTICAL LINE
- ⑦ BACK UP NPT PVC BALL VALVE

2

DIG'S SOLAR POWERED CONTROLLER SERIES LEIT1

TYPICAL LAYOUT DETAIL FOR 3/4" OR 1"

IRRIGATION DETAIL
NOT TO SCALE