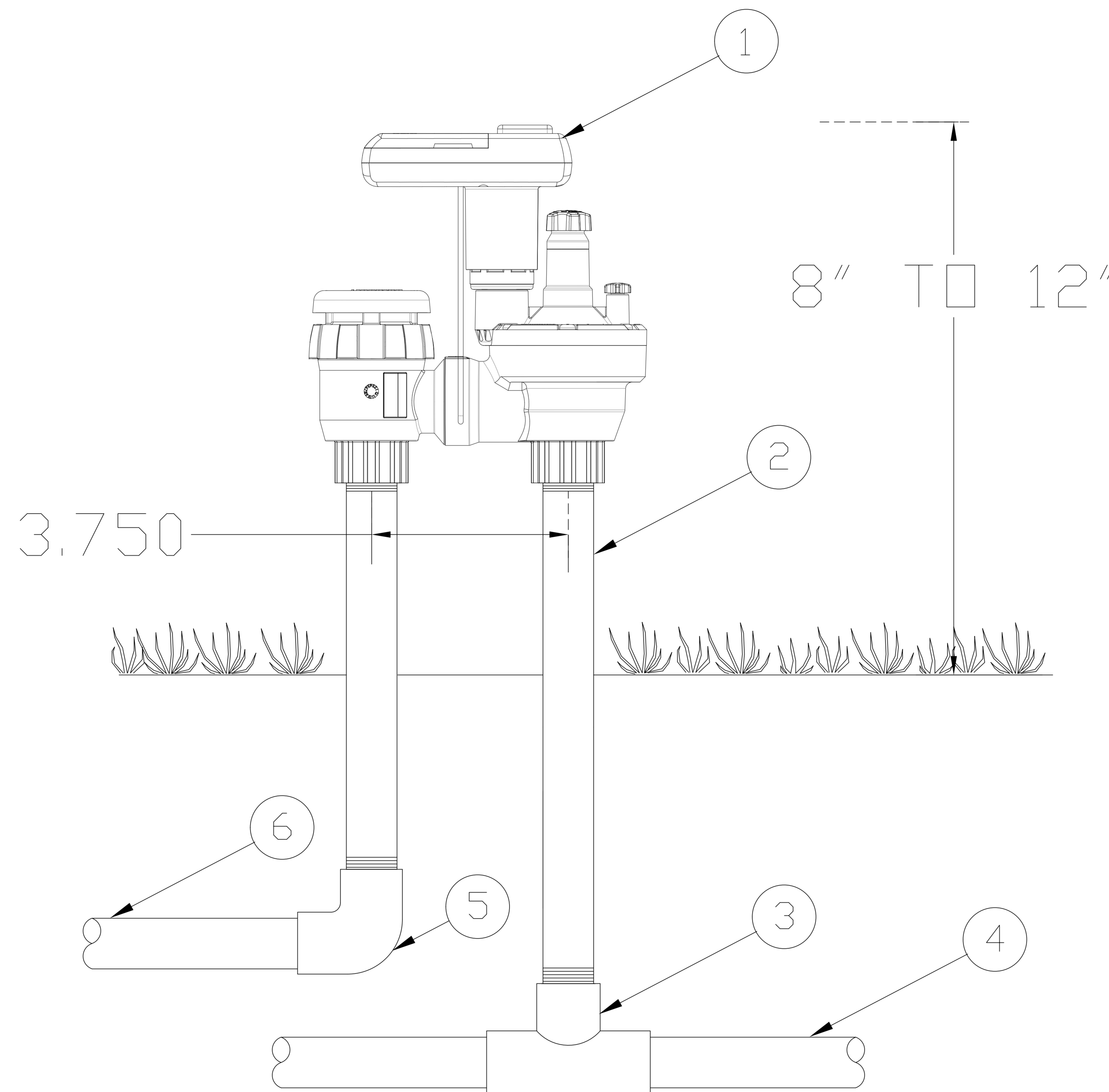




DIG Corporation
 1210 Activity Drive
 Vista CA 92081 USA

LEGEND

- ① SINGLE STATION SOLAR POWERED CONTROLLER WITH RAIN SENSOR CONNECTION AND PLASTIC ANTISIPHON VALVE (IP68)
 MODEL #LEIT 1 ASV-075
 3/4" WITH ANTI-SIPHON VALVE
 MODEL #LEIT 1 ASV-100
 1" WITH ANTI-SIPHON VALVE
- ② SCH 80 NIPPLE
- ③ SCH 40 PVC TEE
- ④ PVC LATERAL PIPE
- ⑤ SCH 40 ELBOW
- ⑥ PVC LATERAL PIPE



① DIG'S SOLAR POWERED CONTROLLER, SERIES LEIT 1
 TYPICAL LAYOUT DETAIL FOR 3/4" OR 1" ASV

IRRIGATION DETAIL
 NOT TO SCALE