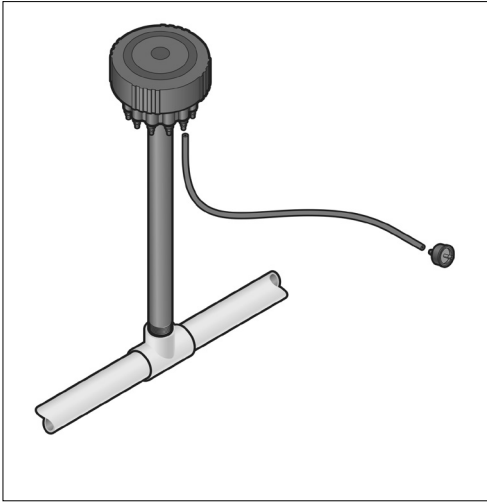
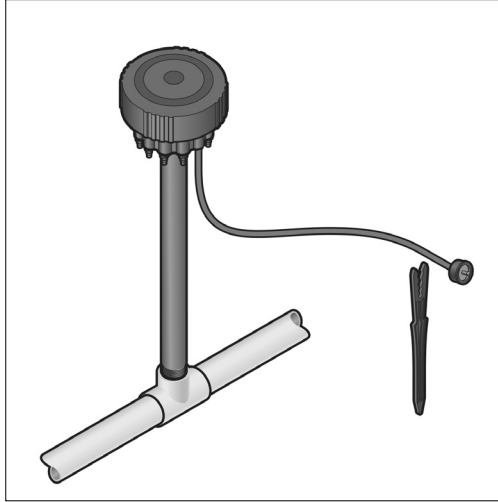


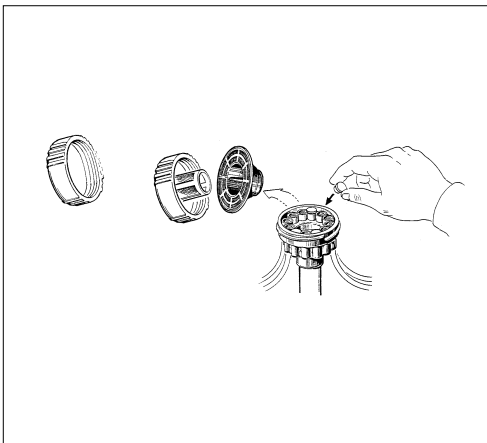
**3. Connect the Micro Tubing:** Attach the micro tubing to the converter barbs by firmly pushing the barb into the end of the micro tubing. Next, run each length of micro tubing to your desired location. Insert the brown side of the dripper into the micro tubing. If insertion is difficult, soften the end of the micro tubing by dipping it in warm water to make it more pliable.



**4. Secure the Micro Tubing:** Attach a V-stake near the end of each micro tubing line to secure it close to your plants. Ensure the drippers are spaced appropriately to provide even watering coverage.



**5. Cap Unused Outlets:** Use the provided rubber caps to close all unused outlets. To do this, unscrew the cover and remove the Mini-Disk filter. Press the rubber caps firmly into the unused outlets, then reinstall the Mini-Disk filter and cover. Finally, tighten the cover by hand.



**6. Pressurize the System:** Activate the system and check that the 12-outlet manifold is functioning correctly. Make any necessary adjustments if needed.

**Design Recommendations:** For optimal performance, we recommend that the maximum length of micro tubing from each outlet should not exceed 8–10 feet. While longer lengths are possible, consider maintenance and aesthetics when planning your system.

### 3. Additional Products for Use with the 12-Outlet Manifold

#### Micro Tubing:

- **Model # B38P:** 1/4 in. x 50 ft. Micro Tubing
- **Model # B38100P:** 1/4 in. x 100 ft. Micro Tubing
- **Model # B38500P:** 1/4 in. x 500 ft. Micro Tubing

#### 1/4 in. Converter Barbs or Elbows:

- **1/4 in. Converter Barb:** Designed for use with 1/4 in. micro tubing, featuring a compression side for insertion into the drip manifold and a barb side for the micro tubing. Elbows may be more effective than straight barbs depending on your system setup.

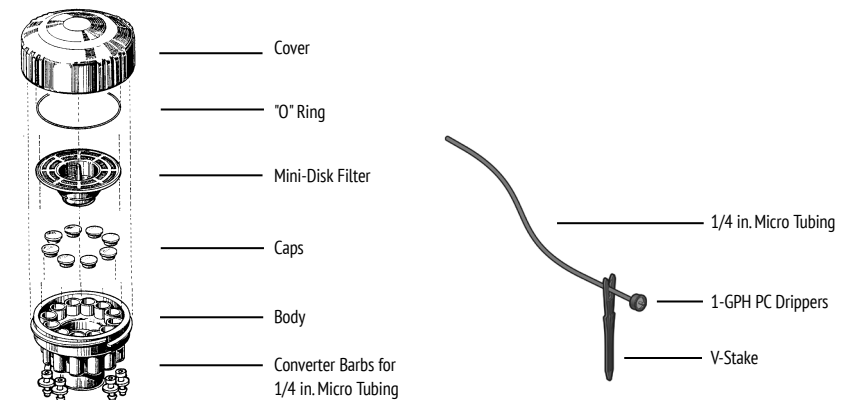
#### Models for 1/4 in. Converter Barbs and Elbows:

- **Model # 10-012:** Red Converter Barb
- **Model # 10-013:** Green Converter Barb
- **Model # 10-014:** Purple Converter Barb
- **Model # 10-017:** Black Converter Barb
- **Model # 25-007:** Black Converter Elbow

Please use the model numbers above to order specific components needed for your system setup.

### 5. To Order Parts

We at DIG Corporation understand that most stores do not carry spare parts. For your convenience, you can order any necessary parts by visiting: <https://shop.digcorp.com> Parts will be shipped within seven days.



## KIT CONTAINS:



(1) 12-Outlet Manifold with 1/4 in. Converter Barbs



(12) 1-GPH PC Drippers with Check Valves



(1) 100 ft. Roll of 1/4 in. Black Micro Tubing



(12) V-Stakes for 1/4 in. Tubing



(1) Strip of Eight Zone Caps

## DIG CORPORATION 3-Year Limited Warranty

**DIG DIG CORPORATION** warrants these products to be free from defects in material and workmanship for a period of two years from the date of purchase. This warranty does not cover damage resulting from accident, misuse, neglect, modification, improper installation, or subsection to line pressure in excess of 80 PSI per square inch. This warranty shall extend only to the original purchaser of the product for use by the purchaser. The obligation of DIG CORPORATION under this warranty is limited to repairing or replacing at its factory this product, which shall be returned to the factory within one year after the original purchase and which, on examination, is found to contain defects in material and workmanship.

DIG CORPORATION SHALL IN NO EVENT BE LIABLE FOR ANY INCIDENTAL OR CONSEQUENTIAL DAMAGES OF ANY KIND; THE SOLE OBLIGATION OF DIG BEING LIMITED TO REPAIR OR REPLACEMENT OF DEFECTIVE PRODUCTS. SOME STATES DO NOT ALLOW THE EXCLUSION OR LIMITATION OF INCIDENTAL OR CONSEQUENTIAL DAMAGES, SO THE ABOVE LIMITATION OR EXCLUSION MAY NOT APPLY TO YOU.

Unattended use for prolonged periods without inspection to verify proper operation is beyond the intended use of this product, and any damage resulting from such use shall not be the responsibility of DIG CORPORATION. There are no warranties that extend beyond the description on the face hereof. In the case of purchase of the product for use other than for irrigation purposes, DIG CORPORATION hereby disclaims any implied warranties, including any warranties of merchantability and fitness for a particular purpose. In the case of the purchase of the product for personal, family, or household purposes, DIG CORPORATION disclaims any such warranties to the extent permitted by law. To the extent that any such disclaimer of implied warranties shall be ineffectual, then any implied warranties shall be limited in duration to a period of one year from the date of the original purchase for use by the purchaser. Some states do not allow limitations on how long an implied warranty lasts, so the above limitation may not apply to you.

In order to obtain performance under this warranty, the unit must be returned to the factory, along with proof of purchase indicating the original date of purchase, shipping prepaid, addressed as follows:

DIG CORPORATION, 1210 Activity Drive, Vista, CA 92081. Repaired or replaced units will be shipped prepaid to the name and address supplied with the unit returned under warranty. Allow four weeks for repairs and shipping time. Repair of damaged units not otherwise within warranty may be refused or done at a reasonable cost or charge at the option of DIG CORPORATION.

This warranty gives you specific legal rights, and you may also have other rights which vary from state to state.

### Customer Service

Phone: 1.800.344.2281 Fax: 760.727.0282



1210 Activity Drive • Vista, CA 92081-8510, USA



www.digcorp.com  
e-mail: dig@digcorp.com  
26-033 REV B 080824  
Printed in the USA

## INSTALLATION INSTRUCTIONS

### 12-Outlet Home Grow Kit

Designed for indoor growing  
in any medium



### Welcome to Your DIG 12-Outlet Home Grow Kit!

Thank you for purchasing the DIG 12-Outlet Home Grow Kit! Please take a moment to carefully read through the enclosed instructions and follow them step by step to ensure optimal setup and performance. If you have any questions or need assistance, don't hesitate to call our customer service line at 1-800-322-9146. We're here to help!

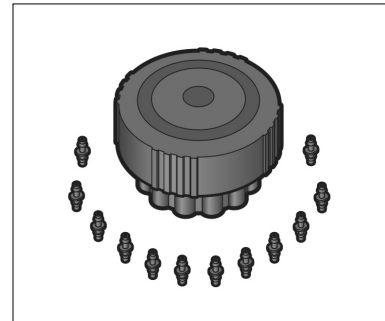
### Versatile 12-Outlet Drip Irrigation Manifold by DIG

DIG's 12-Outlet Drip Irrigation Manifolds are designed to seamlessly adapt to any 1/2 in. riser, making them versatile for both new installations and converting existing sprinkler risers into efficient 12-outlet drip systems. This kit includes 12 pressure-compensating 1-GPH drippers with built-in check valves to ensure consistent water flow. The 12-outlet manifolds are compatible with DIG's 1/4 in. micro tubing, providing a reliable and adaptable solution for your irrigation needs.

### How to Install

#### 1. Insert the Converter Barbs:

Carefully insert the converter barbs into the openings on the manifold, ensuring that the barbed end is facing outward.



#### 2. Attach the 12-Outlet Manifold:

After flushing the riser, thread the 12-outlet manifold onto the riser securely.

