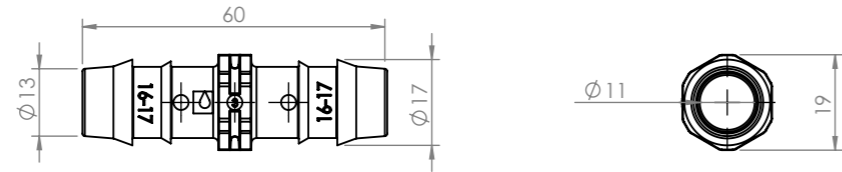


8 7 6 5 4 3 2 1

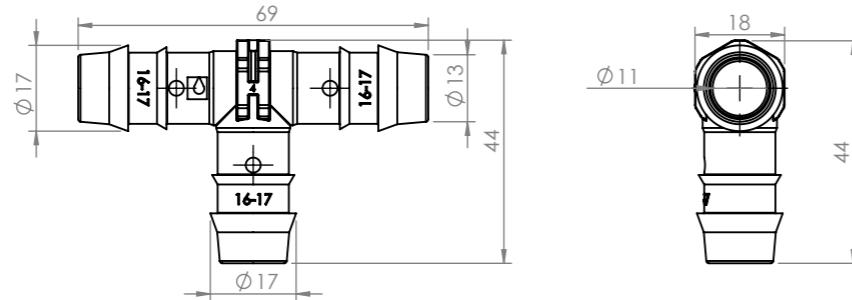
F

15-040 - 17MM STRAIGHT BARB



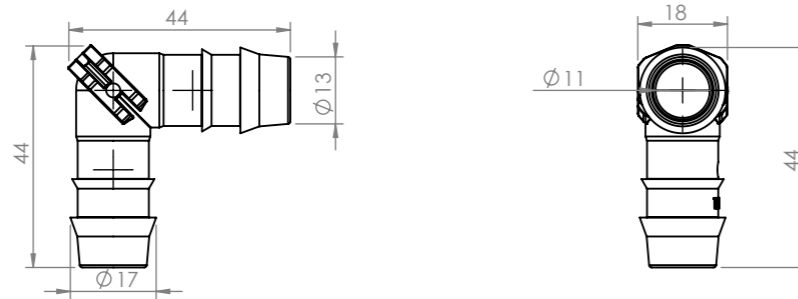
E

15-041 - 17MM BARBED TEE



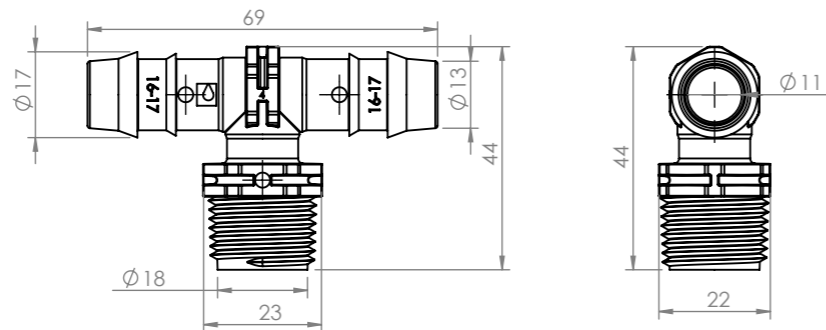
D

15-042 - 17MM BARBED ELBOW



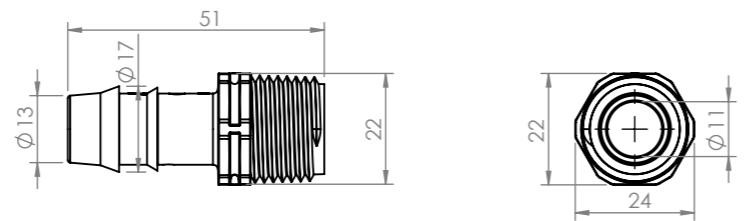
C

15-043 - 1/2" MPT X 17MM BARBED TEE



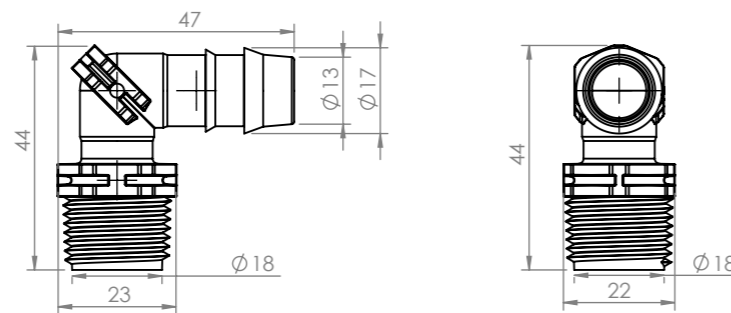
B

15-046 - 1/2" MPT X 17MM BARB



A

15-047 - 1/2" MPT 17MM BARBED ELBOW



			NOTES: SHEET SIZE A3 DO NOT SCALE DRAWING	DIG CORPORATION 1210 Activity Dr, Vista, CA 92081																		
<table border="1"> <thead> <tr> <th>NAME</th> <th>SIGNATURE</th> <th>DATE</th> </tr> </thead> <tbody> <tr> <td>DRAWN</td> <td>GSTOLTZ</td> <td>4-12-2023</td> </tr> <tr> <td>CHK'D</td> <td></td> <td></td> </tr> <tr> <td>APP'VD</td> <td></td> <td></td> </tr> <tr> <td>MFG</td> <td></td> <td></td> </tr> <tr> <td>Q.A</td> <td></td> <td></td> </tr> </tbody> </table>			NAME	SIGNATURE	DATE	DRAWN	GSTOLTZ	4-12-2023	CHK'D			APP'VD			MFG			Q.A			TITLE: <h1>DIG 17mm BARB FITTINGS</h1>	
NAME	SIGNATURE	DATE																				
DRAWN	GSTOLTZ	4-12-2023																				
CHK'D																						
APP'VD																						
MFG																						
Q.A																						
MATERIAL: ACETAL			DWG NO. <h2>17 MM BARBS</h2>																			
			REVISION A																			
			SCALE: 1:1.5																			
			SHEET 1 OF 1																			

8 7 6 5 4 3 2 1

F

E

D

C

B

A