

24VAC Remote Control Valves

170SV Series



24VAC Remote Control Valves

Made out of durable, high impact, glass-reinforced nylon, DIG's two-way, direct acting, normally closed remote-control valves are designed for reliable operation in residential and commercial sites, above or below grade. The 170SV series is available in two configurations, with NPT or BSP threads, featuring a one-piece diaphragm assembly, a flow control handle for flow adjustment, and an internal and external valve opening via the solenoid or the bleed screw for smooth opening and closing.

Features

- Designed for reliable operation with excellent hydraulic performance
- Features a flow control handle for flow adjustment
- Internal or external manual opening via the solenoid or the manual bleed screw
- Available in ¾" and 1" globe style
- Very low flow feature for a wide range of applications
- Rugged, reinforced self-cleaning diaphragm for reliable operation
- Durable, high-impact, glass-fille reinforced nylon body and cover
- Easy-to-clean plunger assembly
- Highly durable to chemical use with an irrigation system
- Three-year product warranty



DIG Corporation

1210 Activity Drive
Vista, California 92081
www.digcorp.com

800. 322.9146
760. 727.0914
fax 760. 727.0282

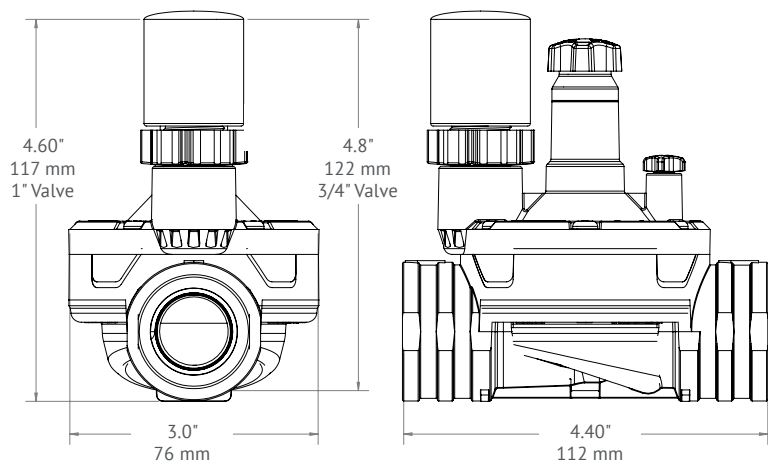


24VAC Remote Control Valves

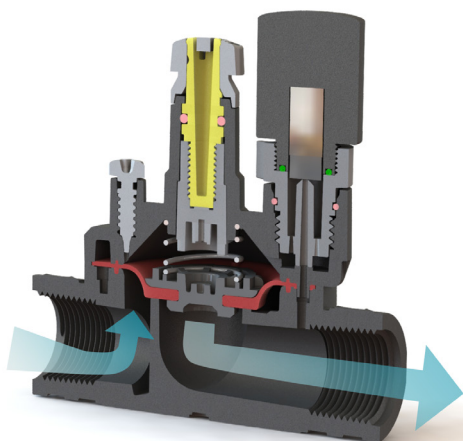
170SV Series

Specifications:

- Body style: inline (globe) valve
- Operating pressure: 10 to 150 PSI (.7 to 10.5 bar)
- Valve sizes: 3/4" and 1" with FNPT or British standard thread (BSP)
- Available with flow control and manual bleed
- Temperature range: up to 135° Fahrenheit (0-57°C)
- Operating flow range:
 - 3/4" size: .1 to 20 GPM (.23 to 4.54 m³h)
 - 1" size: .2 to 35 GPM (0.45 to 8 m³h)
- Solenoid: 24 VAC (50 -60 cycles)
 - Current: .032A (7.7 VA)
 - Holding current: 0.16A (3.84 VA)
 - Power consumption: 1.7/2.2 watts
 - Solenoid thread: 3/4" -20, supported with external adapter



- Notes:**
- Accepts DIG latching solenoid for use with DIG battery operated controller
 - For drip applications, use a minimum of 150 mesh screen or disc filter installed upstream



Materials:

- Body: glass-reinforced nylon
- Bonnet: glass-reinforced nylon
- Solenoid: glass-reinforced nylon
- Spring and pins: Stainless steel
- Diaphragm: EPDM



How to specify

| Model | Description |
|--------------|---|
| 170SV-075 | 3/4" FPT, 24VAC globe valve with flow control, internal and external manual bleed |
| 170SV-100 | 1" FPT, 24VAC globe valve with flow control, internal and external manual bleed |
| 170SV-075BSP | 3/4" BSP, 24VAC globe valve with flow control, internal and external manual bleed |
| 170SV-100BSP | 1" BSP, 24VAC globe valve with flow control, internal and external manual bleed |

Performance pressure loss (PSI)

| Flow Rate (GPM) | m ³ /h | l/m | Size | | | |
|-----------------|-------------------|-------|----------|------|--------|------|
| | | | 3/4" PSI | Bar | 1" PSI | Bar |
| .2 | 0.04 | 0.7 | .07 | .005 | - | - |
| .5 | 0.11 | 1.9 | 1.3 | .089 | - | - |
| 1.0 | 0.23 | 3.8 | 3.0 | .206 | 2.4 | 1.65 |
| 3.0 | 0.68 | 11.4 | 3.3 | .227 | 2.6 | 1.79 |
| 5.0 | 1.13 | 18.9 | 3.6 | .248 | 2.8 | .193 |
| 8.0 | 1.81 | 30.3 | 3.9 | .269 | 3.4 | .234 |
| 10.0 | 2.27 | 37.9 | 4.1 | .283 | 3.8 | .262 |
| 15.0 | 3.41 | 56.8 | 4.9 | .338 | 4.5 | .310 |
| 20.0 | 4.54 | 75.7 | 5.5 | .380 | 5.0 | .344 |
| 25.0 | 5.68 | 94.6 | - | - | 5.9 | .406 |
| 30.0 | 6.81 | 113.6 | - | - | 6.6 | .455 |
| 35.0 | 7.95 | 132.5 | - | - | 7.8 | .537 |
| 40.0 | 9.08 | 151.4 | - | - | 8.5 | .586 |