



Add-It™ Automatic Proportional Fertilizer Injector

INSTALLATION, OPERATION AND MAINTENANCE INSTRUCTIONS

DIG® Add-It™ Automatic Proportional Fertilizer Injector with Hose or Pipe Thread in 1.5 Quarts, .5, 1, 2, 3 and 5 Gallon Tank.

INTRODUCTION

Thank you for purchasing the DIG Add-It™ Automatic proportional fertilizer injector. Please take the time to read through the enclosed instructions and follow them step by step. If you have any questions, please call DIG's customer service line at 1.800.344.2281 or 1.760.727.0914.

ABOUT THE DIG ADD-IT™ AUTOMATIC PROPORTIONAL FERTILIZER INJECTOR

The Add-It™ Automatic Proportional Fertilizer Injector is designed to feed your garden plants using any liquid fertilizer nutrients or premixed liquid of water-soluble granular fertilizer through your drip irrigation system, sprinkler system or garden hose. It requires a minimum flow rate to operate correctly, please use the chart below.

Please Note: The Add-It™ AFI 7525-HV comes with a ¾" heavy duty backflow vacuum breaker that should be connected to the water source upstream of the Add-It™. The Add-It™ and the backflow preventer are designed to operate under pressures of up to 80 PSI (5.5 BAR).

INSTALLATION

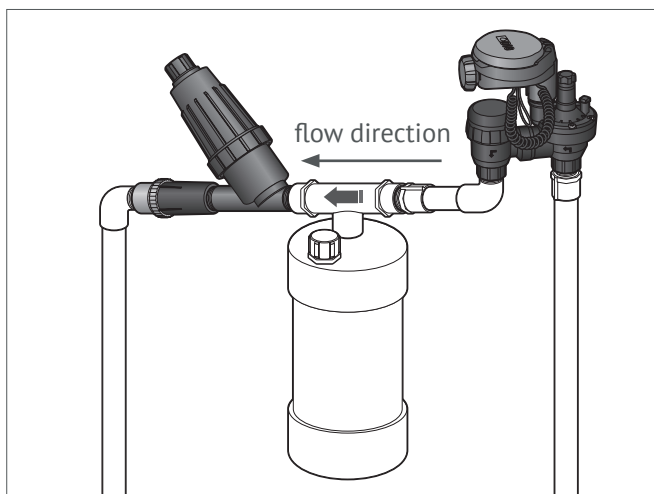
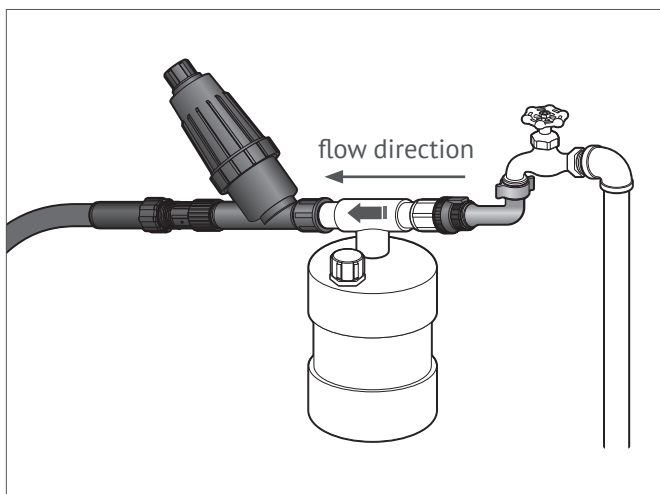
Minimum pressure 10 PSI (.7 BAR), is required to operate the Add-It™. When installing the fertilizer injector, select one of the following layout options.

Option 1: Drip system installation with hose thread

Start the installation at the water source by attaching the heavy-duty backflow preventer to your faucet, see arrow for flow direction follow by attaching the Add-It™ Proportional Fertilizer Applicator. If installed with a drip system, then add a Y filter and then, a 25-PSI (1.7 BAR) preset pressure regulator. To automate the system, use one of DIG's battery or solar operated hose end timers (model B09D, EVO 100 or BOHE-BT) timers (International use model B09Di, EVO 100i or BOHE BTi with BSP threads), available online or in a store near you. Make sure to install the hose end timer to the faucet and before the backflow device.

Option 2: Pipe thread installation

Consider whether this is a brand-new installation; a new unit installation requires you to meet existing code. Install a backflow device per the orientation intended by the manufacturer and per approved regulation. An assembly that was designed and approved for horizontal installation must not be installed vertically, and vice versa. The backflow device requires a clearance with a minimum of 12" from each side and minimum of 12" above grade as measured from the bottom of the assembly. Do not add any water connections between the backflow and the irrigation valve. To the outlet side of the backflow, attach the Add-It™ fertilizer injector, see arrow for flow direction. To the injector, add any number of anti-siphon valves or inline valves (see illustration). If used with a drip system, add a Y filter and a 25-PSI (1.7 BAR) preset pressure regulator and connect to the main line.



Please Note: It is important to apply 3 to 5 rounds of Teflon tape to all male pipe threads connections. Do not add fertilizer when the unit is under pressure. Do not use a wrench to tighten the hose swivel connectors; these fittings should be tightened by hand only. The inlet/outlet of the Add-It™ AFI should be as horizontal as possible with the canister in a vertical position. Install the Add-It™ only outdoors, and do not use hot water. It should not be installed in direct sunlight; direct sunlight could adversely affect the liquid fertilizer nutrients and shorten the lifespan of the unit. The Add-It™ can be left outside, attached. If you choose to leave the unit outside during the winter months and there is a possibility of freezing, it is highly recommended that the unit be left drained and vented to atmosphere to prevent any damage.

FILLING THE ADD-IT™ AUTOMATIC PROPORTIONAL FERTILIZER INJECTOR

1. To initially fill the Add-It™ AFI, remove the top fill cap. Insert the fill funnel (included) into the opening and pour in the liquid solution. Make sure to fill the tank completely. Replace the top cap, and the Add-It™ AFI is ready for operation.
2. Turn on the irrigation system at the faucet (hose bib). Consult the chart below to determine how many gallons of water will pass through the irrigation system to empty the Add-It™ AFI.

Example: If a drip system installation with 2 GPM (7.6 L/M) used the fertilizer injector with 1.5 quarts, it will take 75 gallons (284 L) of water to empty, see chart below. To find out the approximate time it will take to empty the unit, divided the 75 gallon it takes to empty by the system flow rate, or $75/2=37.5$. this is the total amount of minutes it will take not only to water the plants, but also to fertilize them as well.

Inlet/Outlet	Color	Fertilizer Injector Size					
		1.5 Quarts	1/2 Gallon	1 Gallon	2 Gallons	3 Gallons	5 Gallons
		Flow to Empty					
1/2"	Green	75	100	200	N/A	N/A	N/A
3/4"	Red	75	100	200	400	600	1000
1"	Black	75	100	200	400	600	1000
1 1/2"	Yellow	N/A	N/A	200	400	600	1000
2"	Gray	N/A	N/A	200	400	600	1000

REFILLING THE ADD-IT™ AUTOMATIC PROPORTIONAL FERTILIZER INJECTOR

When the time comes to refill the Add-It™ AFI, turn off the water supply at the faucet (hose bib). Remove both the bottom drain cap and the top fill cap. Allow all the water to drain from the unit, and replace the bottom drain cap.

1. Place the fill funnel in the top opening and refill the Add-It™ AFI. Replace the top fill cap and turn on the irrigation system.
2. Once you have completed watering, it is not necessary to drain the unit. If there is fertilizer or additive still in the tank, it will be dispensed the next time you operate your irrigation system.
3. Once all the additive has been dispensed, it will not harm the unit to have water running through it when you are not fertilizing.

SELECTING LIQUID FERTILIZER OR PREMIXED LIQUID OF WATER-SOLUBLE GRANULAR FERTILIZER

To apply liquid fertilizer to the Add-It™ AFI, please follow the recommendations provided by the fertilizer manufacturers. For optimum plant growth and health, DIG recommends using the Add-It™ on a monthly or bimonthly basis during the growing season.

ABOUT THE LIQUID FERTILIZER NUTRIENTS OR PREMIXED LIQUID OF WATER-SOLUBLE GRANULAR FERTILIZER

1. The fertilizer must be in liquid form when it's poured into the Add-It™ AFI.
2. If using a premixed liquid, you can pour it in full strength. If using a dry, totally water-soluble granular fertilizer such as Scotts Miracle-Gro® or Peters Professional®, Bandini Pro Choice® or Grow More®, premix with water at a ratio of 1 to 1¼ pound of dry formula (i.e. 1 small bag of Miracle-Gro® general purpose plant food, 15-15-15 or 20-20-20) to 1 gallon of water.
3. Fish emulsion or any petroleum-based additive can only be used in the Add-It™ when they have been premixed with water at a 1 to 1 ratio. Please read and follow the manufacturer's directions printed on the fertilizer container or bag purchased.
4. When using the Add-It™ AFI with a drip irrigation system, you may also want to consider dispensing a wetting agent (surfactant) such as Grow More E-Z Wet Soil Penetrant 26® to help break up compacted soils, compost tea to increase micro organisms in the soil, micro nutrients or Vitamin Institute's SUPER thrive™ containing vitamins and hormones for healthier plants, or vitamin B-1 when transplanting trees and shrubs. Typically, 1 gallon or 8 pints (3.6 L) of liquid fertilizer will cover approximately 1,000 square feet (93 s/m), according to most manufacturers' specifications.
5. When using the Add-It™ as a foliar feeder on lawns through your garden hose connections, use a liquid solution of fertilizer or wetting agent.
6. When using the Add-It™ as a foliar feeder on trees and shrubs, only pour in a solution of fertilizer without combining with other additives.
7. Always be sure the Add-It™ AFI is completely full of either additive or water before operating the irrigation system.

TECHNICAL INFORMATION

The Add-It™ Fertilizer Injector dispenses fertilizer and additives at a consistent, predetermined rate at a ratio of 200:1, 200 parts water to 1-part additive. For technical support and/or troubleshooting assistance, please call DIG at **1.800.344.2281**.

WARRANTY

DIG CORPORATION THREE-YEAR WARRANTY DIG CORPORATION warrants the Add-It™ AFI to be free from defects in material and workmanship for a period of three years from date of purchase. This warranty does not cover damage resulting from accident, misuse, neglect, modification, improper installation or subjection to line pressure in excess of 80 lbs. (5.5 BAR) per square inch. This warranty shall extend only to the original purchaser of the product for use by the purchaser. This warranty shall not cover any malfunction of the product due to pressure exceeding the recommended pressure. Buyer assumes all responsibility for safety and use not in accordance with instructions and directions manual. The obligation of DIG CORPORATION under this warranty is limited to repairing or replacing at its factory this product which shall be returned to the factory within three years after the original purchase and which on examination is found to contain defects in material and workmanship. DIG CORPORATION SHALL IN NO EVENT BE LIABLE FOR ANY INCIDENTAL OR CONSEQUENTIAL DAMAGES OF ANY KIND; THE SOLE OBLIGATION OF DIG IS LIMITED TO REPAIR OR REPLACEMENT OF DEFECTIVE PRODUCTS. SOME STATES DO NOT ALLOW THE EXCLUSION OR LIMITATION OF INCIDENTAL OR CONSEQUENTIAL DAMAGES, SO THE ABOVE LIMITATION OR EXCLUSION MAY NOT APPLY TO YOU. Unattended use for prolonged periods without inspection to verify proper operation is beyond the intended use of this product, and any damage resulting from such use shall not be the responsibility of DIG CORPORATION. There are no warranties which extend beyond the description on the face hereof. In the case of purchase of the product for use other than, for irrigation and fertigation purposes, DIG CORPORATION hereby disclaims any implied warranties including any warranties of merchantability and fitness for a particular purpose. In the case of the purchase of the product for personal, family or household purposes, DIG CORPORATION disclaims any such warranties to the extent permitted by law. To the extent that any such disclaimer or implied warranties shall be ineffectual, then any implied warranties shall be limited in duration to a period of one year from the date of the original purchase for use by the purchaser. Some states do not allow limitation on how long an implied warranty lasts, so the above limitation may not apply to you. In order to obtain performance under this warranty, the unit must be returned to the factory, along with proof of purchase indicating original date of purchase, shipping prepaid, addressed as follows: DIG CORPORATION, 1210 Activity Drive, Vista, CA 92081. Repaired or replaced units will be shipped prepaid to the name and address supplied with the unit returned under warranty. Allow four weeks for repairs and shipping time. Repair of damaged units not otherwise within warranty may be refused or done at a reasonable cost or charge at the option of DIG CORPORATION. This warranty gives you specific legal rights, and you may also have other rights which vary from state to state.



1210 Activity Drive
Vista, CA 92081-8510, USA

www.digcorp.com
email: dig@digcorp.com
26-500 REV A 050621
DIG is a Registered Service Mark of DIG Corp.