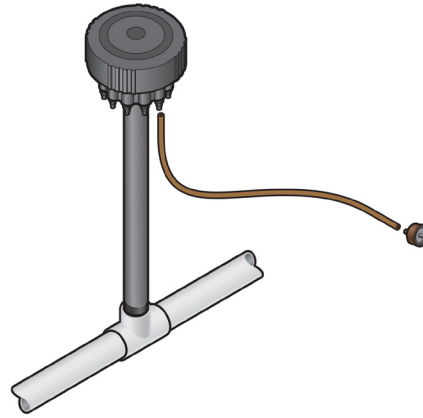
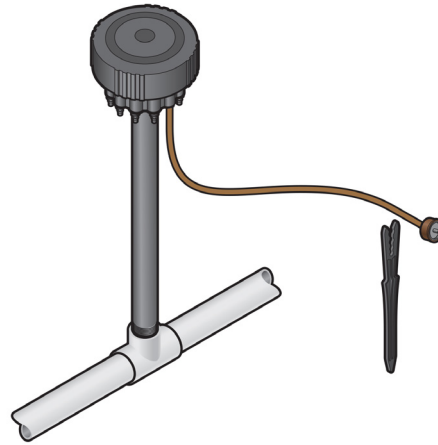


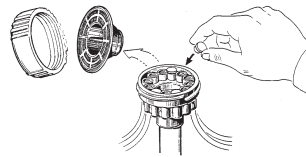
3. Connect the micro tubing to the converter barbs by forcing the barb into the end of the micro tubing. Then, run each length of micro tubing to the desired location and insert the brown side of the dripper into the micro tubing. If insertion is difficult, heat the end of the micro tubing with warm water to make it more pliable.



4. Secure the micro tubing near the plants by attaching the V-stake towards the end of the micro tubing, taking care to space the drippers appropriately.



5. Use the rubber caps provided to close all unused outlets. Do this by unscrewing the cover and removing the Mini-Disk filter. Then, press the rubber caps into the unused outlets, and re-install the Mini-Disk filter and cover. Tighten the cover by hand.



6. Pressurize the system and verify that the 12-outlet manifold is functioning properly. Make any necessary corrections if needed.
When designing a system, we recommend that the maximum length of micro tubing from each outlet should not exceed 8 ft.-10ft.. Longer lengths may certainly be achieved, but please consider the factor of maintenance and aesthetics.

3. OPTIONAL ACCESSORIES

Please see below for additional products to be used with the included 12-outlet manifold.

Model #	B38	1/4 in. 50 ft. micro tubing
	B38100	1/4 in. 100 ft. micro tubing
	B38500	1/4 in. 500 ft. micro tubing

1/4 in. BARB OR ELBOW CONVERTER

A 1/4 in. converter barb or elbow is used only with the 1/4 in. micro tubing. The converter barb has a compression side that is inserted into the drip manifold body. The other side is a 1/4 in. barb for 1/4 in. micro tubing. Depending on your system setup, elbows may be more effective than straight barbs. Please see below for information needed to order 1/4 in. converter barbs and elbows.

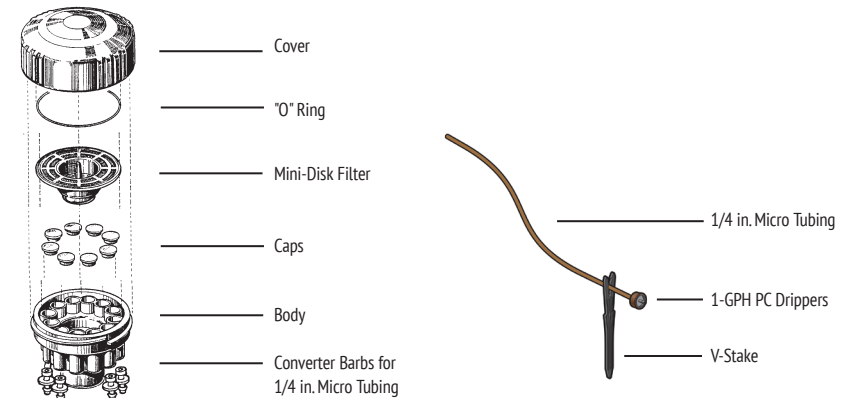
Model #	10-012	Red converter barb to be used with 1/4 in. micro tubing
	10-013	Green converter barb to be used with 1/4 in. micro tubing
	10-014	Purple converter barb to be used with 1/4 in. micro tubing
	10-017	Black converter barb to be used with 1/4 in. micro tubing
	25-007	Black converter elbow to be used with 1/4 in. micro tubing

5. TO ORDER PARTS

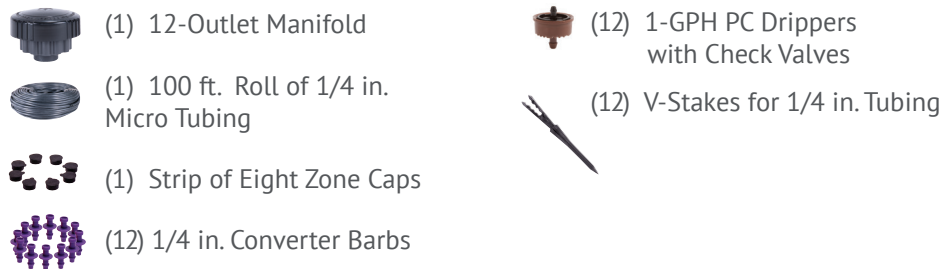
We at DIG Corporation understand that most stores do not carry spare parts. For your convenience, if you need any of these parts, please visit:

<https://shop.digcorp.com/>

Parts will be sent within seven days.



KIT CONTAINS:



DIG CORPORATION 3 YEAR LIMITED WARRANTY

DIG CORPORATION warrants these products to be free from defects in material and workmanship for a period of two years from date of purchase. This warranty does not cover damage resulting from accident, misuse, neglect, modification, improper installation or subjection to line pressure in excess of 80 PSI per square inch. This warranty shall extend only to the original purchaser of the product for use by the purchaser. The obligation of DIG CORPORATION under this warranty is limited to repairing or replacing at its factory this product which shall be returned to the factory within one year after the original purchase and which on examination is found to contain defects in material and workmanship.

DIG CORPORATION SHALL IN NO EVENT BE LIABLE FOR ANY INCIDENTAL OR CONSEQUENTIAL DAMAGES OF ANY KIND; THE SOLE OBLIGATION OF DIG BEING LIMITED TO REPAIR OR REPLACEMENT OF DEFECTIVE PRODUCTS. SOME STATES DO NOT ALLOW THE EXCLUSION OR LIMITATION OF INCIDENTAL OR CONSEQUENTIAL DAMAGES, SO THE ABOVE LIMITATION OR EXCLUSION MAY NOT APPLY TO YOU.

Unattended use for prolonged periods without inspection to verify proper operation is beyond the intended use of this product, and any damage resulting from such use shall not be the responsibility of DIG CORPORATION. There are no warranties which extend beyond the description on the face hereof. In the case of purchase of the product for use other than, for irrigation purposes, DIG CORPORATION hereby disclaims any implied warranties including any warranties of merchantability and fitness for a particular purpose. In the case of the purchase of the product for personal, family or household purposes, DIG CORPORATION disclaims any such warranties to the extent permitted by law. To the extent that any such disclaimer or implied warranties shall be ineffective, then any implied warranties shall be limited in duration to a period of one year from the date of the original purchase for use by the purchaser. Some states do not allow limitation on how long an implied warranty lasts, so the above limitation may not apply to you.

In order to obtain performance under this warranty, the unit must be returned to the factory, along with proof of purchase indicating original date of purchase, shipping prepaid, addressed as follows:

DIG CORPORATION, 1210 Activity Drive, Vista, CA 92081. Repaired or replaced units will be shipped prepaid to the name and address supplied with the unit returned under warranty. Allow four weeks for repairs and shipping time. Repair of damaged units not otherwise within warranty may be refused or done at a reasonable cost or charge at the option of DIG CORPORATION.

This warranty gives you specific legal rights, and you may also have other rights which vary from state to state.

CUSTOMER SERVICE:
1.800.344.2281 FAX: 760.727.0282



1210 Activity Drive • Vista, CA 92081-8510, USA



www.digcorp.com
e-mail: dig@digcorp.com
26-033 REVB 042524
Printed in the USA

INSTALLATION INSTRUCTIONS

12-Outlet Home Grow Kit For indoor growing in any medium



INTRODUCTION

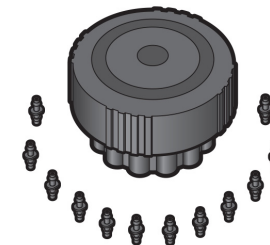
Thank you for purchasing the DIG 12-Outlet Home Grow Kit. Please take the time to read through the enclosed instructions and follow them step by step. If you have any questions, please call our customer service line 1-800-322-9146.

1. 12-OUTLET MANIFOLD

DIG's 12-outlet drip irrigation manifolds are designed to be adapted to any 1/2 in. riser. They may be incorporated into a new system, or used to convert existing sprinkler risers into 12-outlet drip systems. This kit includes 12, 1-GPH pressure compensating drippers with check valves. The 12-Outlet manifolds may be used with DIG's 1/4 in. micro tubing.

2. HOW TO INSTALL

1. First, insert the converter barbs into the openings.
Make sure that the barbed end is facing out.



2. After the riser has been flushed,
thread the 12-outlet manifold onto the riser.

